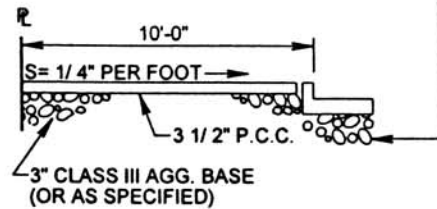
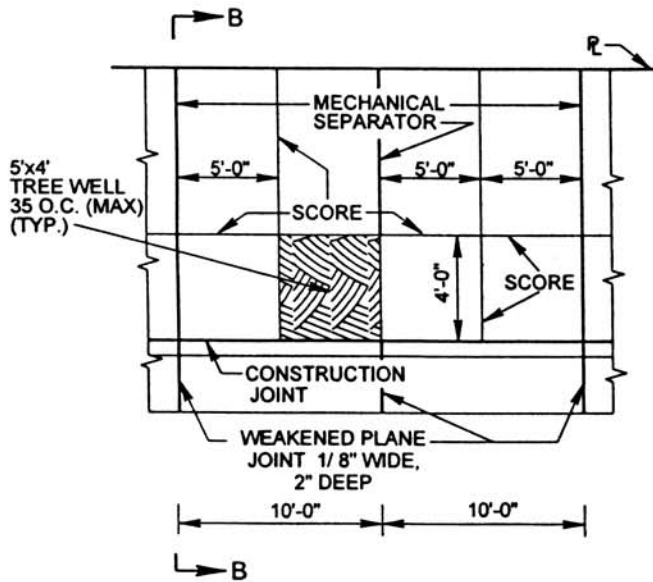


SECTION A-A
ARTERIAL / COLLECTOR
 (COMMERCIAL / INDUSTRIAL)



SECTION B-B
COLLECTOR
 (COMMERCIAL / INDUSTRIAL)

6" CLASS III AGGREGATE BASE
(OR AS SPECIFIED IN PLANS)

APPROVED BY

CM

DATE

7/5/01

CURB, GUTTER & SIDEWALK CONFIGURATIONS

DEPARTMENT OF PUBLIC WORKS



DRAWING NO.

R-2