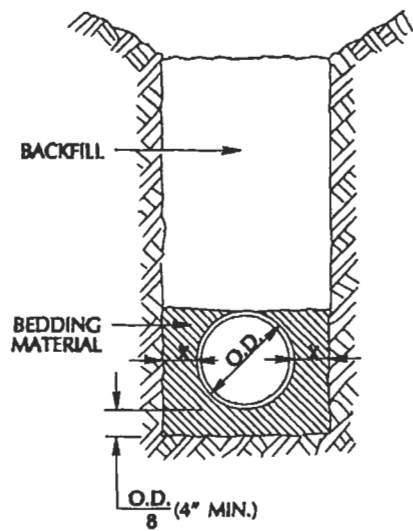
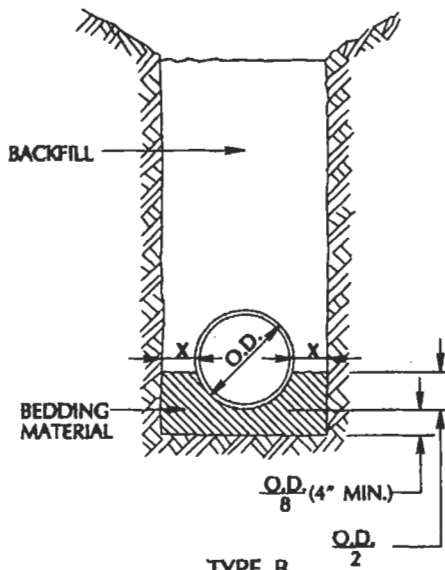


TYPE A

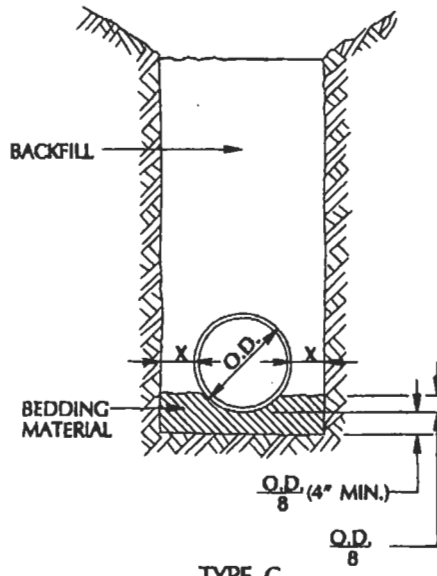


TYPE AO

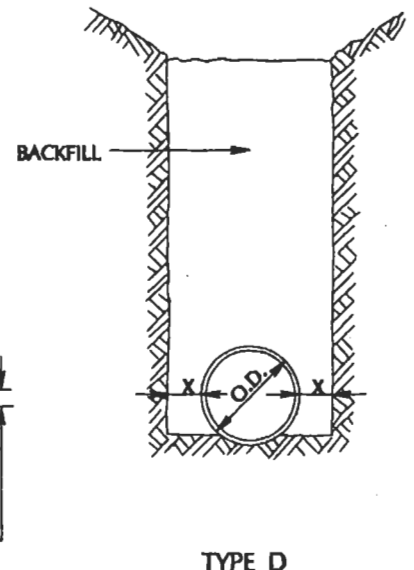
PIPE SIZE	LIMITS OF X	
	MINIMUM	MAXIMUM
24" OR LESS	4"	4" + $\frac{O.D.}{4}$
27" AND GREATER	6"	6" + $\frac{O.D.}{4}$



TYPE B



TYPE C



TYPE D

APPROVED BY
MKD

DATE
4/1/92

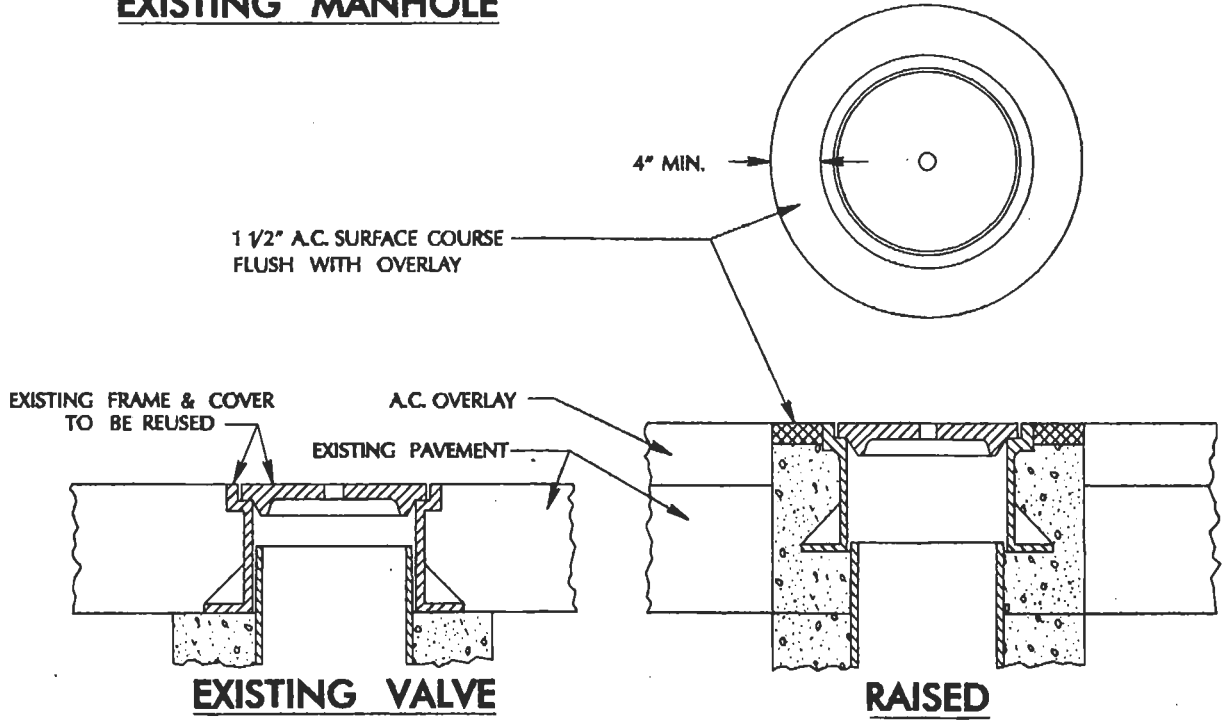
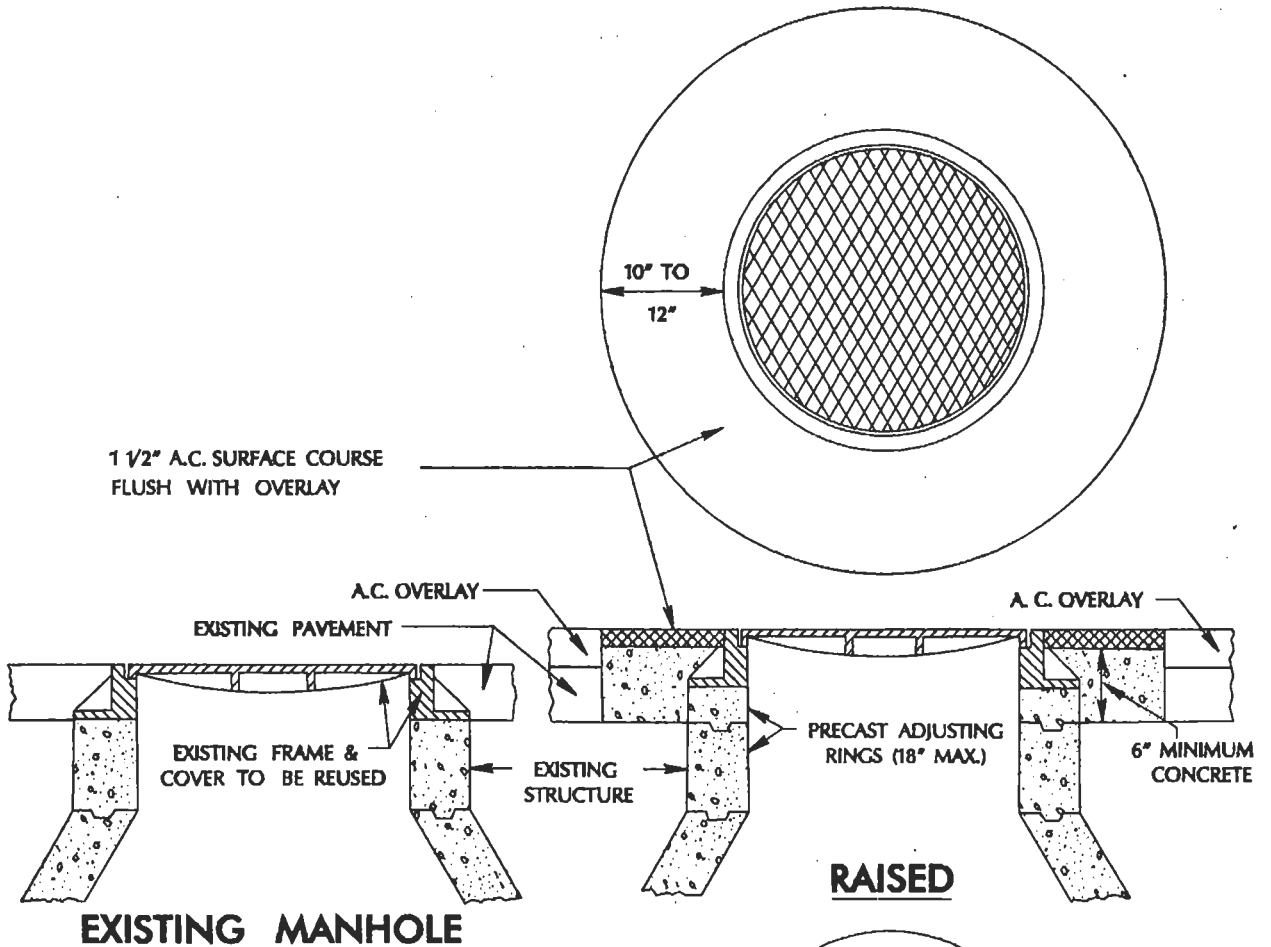
PIPE BEDDING - TYPES

DEPARTMENT OF PUBLIC WORKS



DRAWING NO.

D-1



APPROVED BY
M.R.D.

DATE
4/1/92

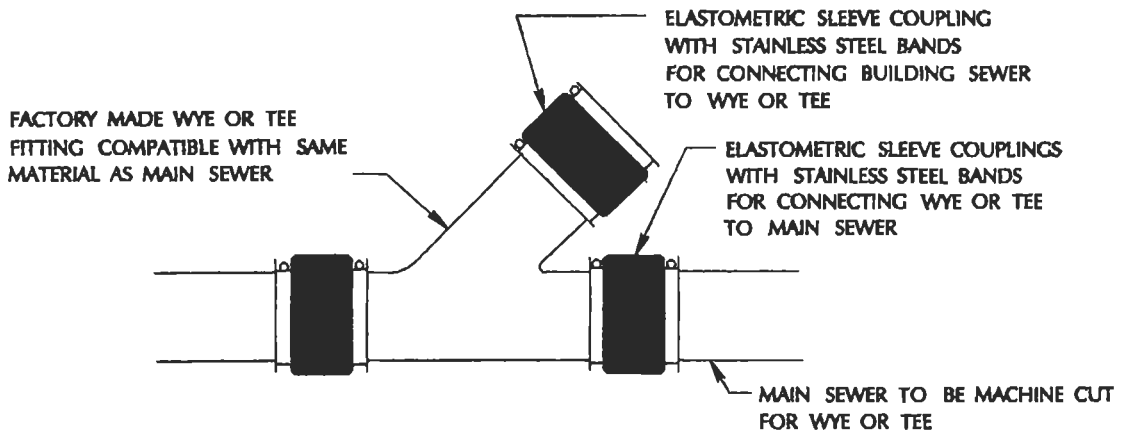
**MANHOLE / VALVE CASTING
ADJUSTMENT DETAIL**

DEPARTMENT OF PUBLIC WORKS

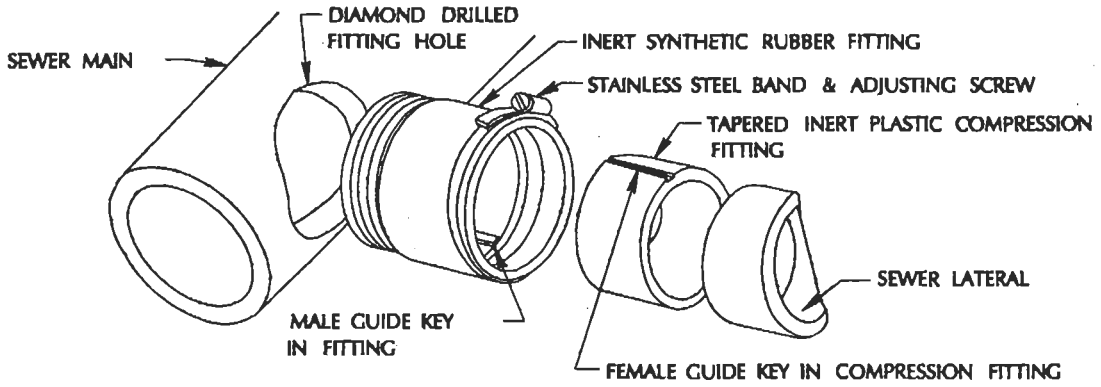


DRAWING NO.

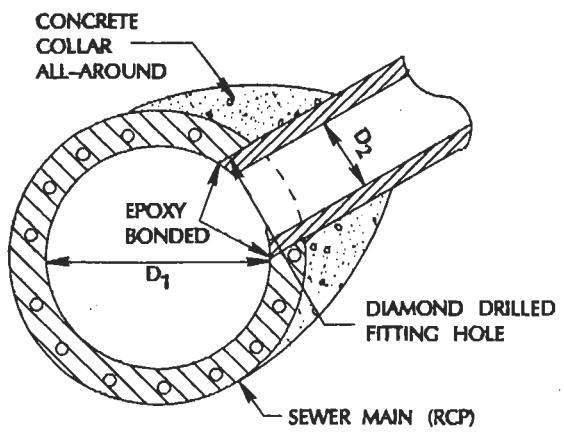
D-2



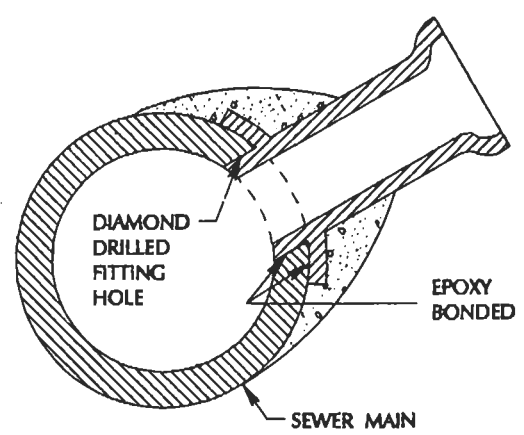
INSERTION OF FACTORY MADE WYE OR TEE



SYNTHETIC RUBBER WEDGED INSERT TEE
(MIN. DIFFERENTIAL OF TWO SIZES REQUIRED)

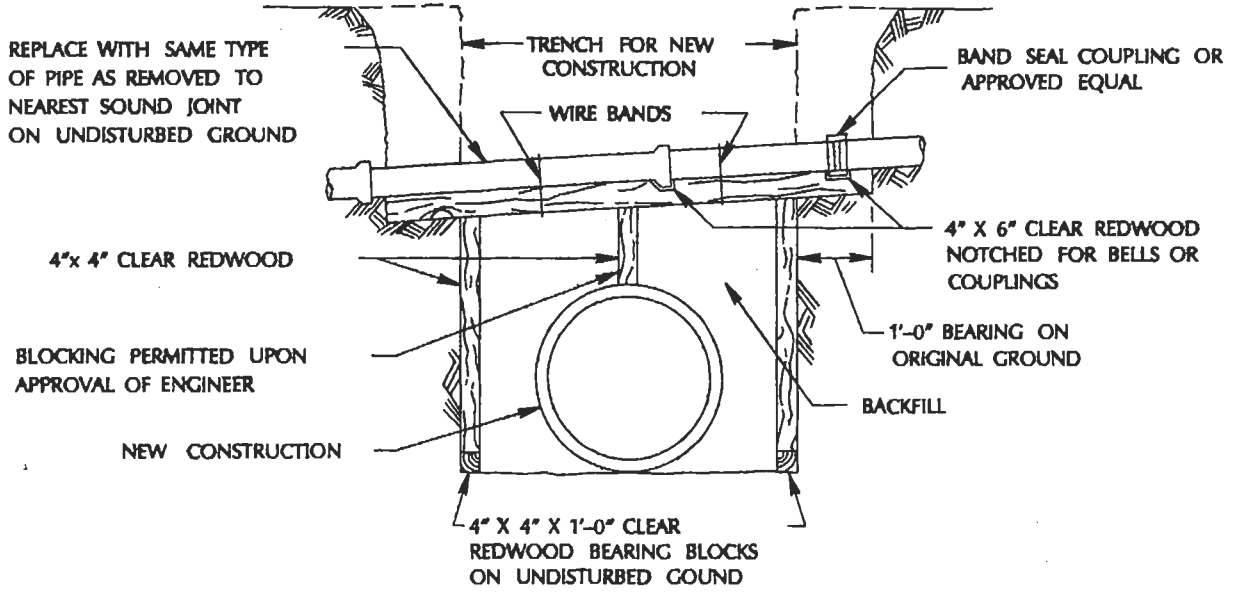


TEE TAP (RCP)
 $D_1 \geq 2.5 D_2$

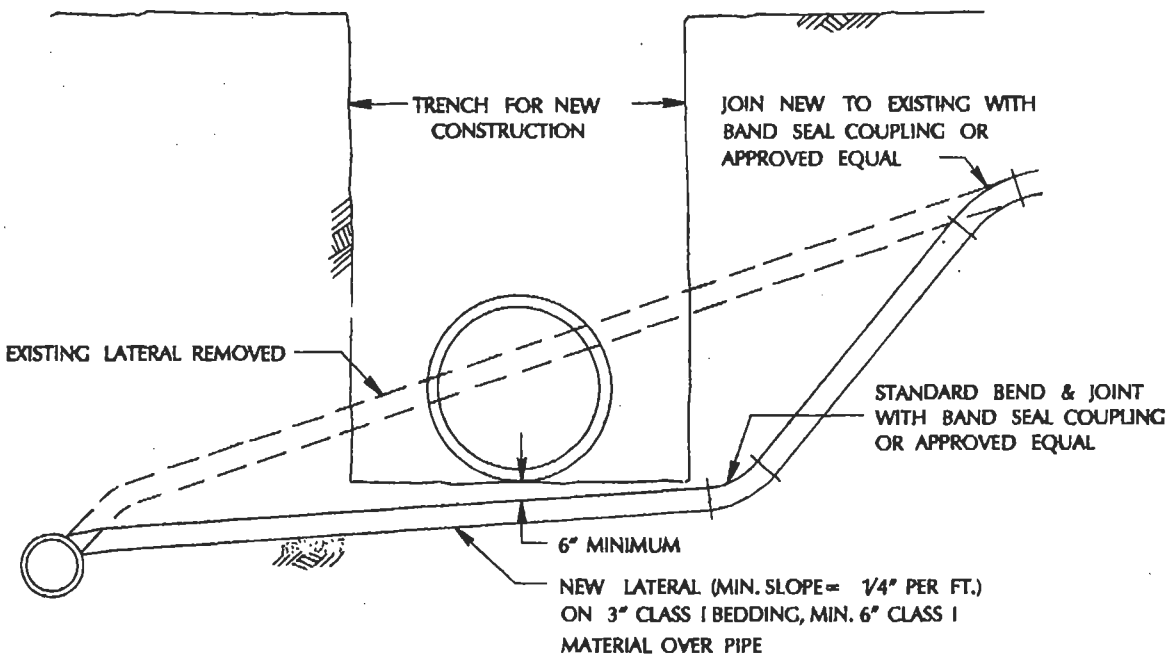


TEE SADDLE TAP (VCP)

APPROVED BY 	SIDE SEWER/LATERAL FITTINGS TO EXISTING MAINS		DRAWING NO.
DATE A/1/92			D-3
DEPARTMENT OF PUBLIC WORKS			

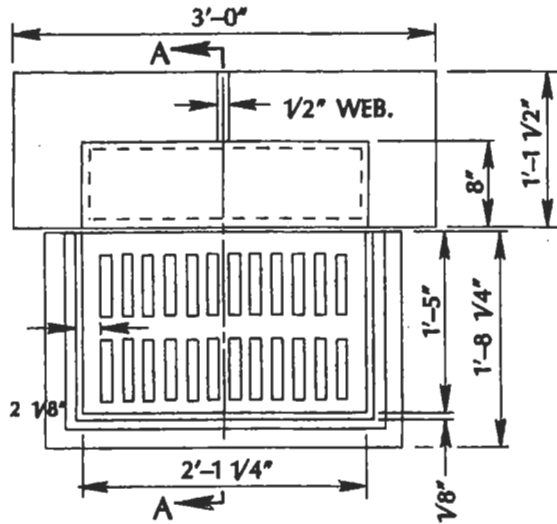


SIDE SEWER LATERAL SUPPORT OVER NEW CONSTRUCTION

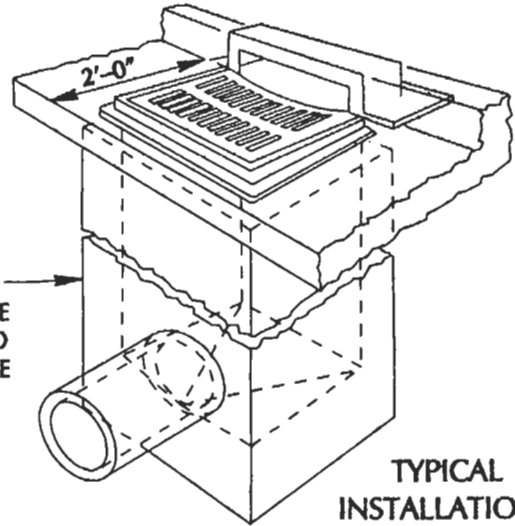


SIDE SEWER LATERAL RELOCATION OPTION UNDER NEW CONSTRUCTION

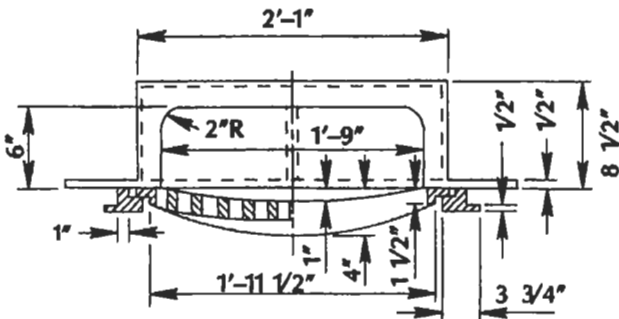
APPROVED BY: 	LATERAL SUPPORT & REPLACEMENT		DRAWING NO.
DATE 4/1/92			D-4
DEPARTMENT OF PUBLIC WORKS			



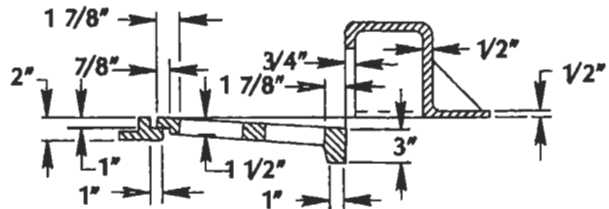
FOR BOX
DETAILS SEE
"STANDARD
FLAT GRATE
INLETS"



TYPICAL
INSTALLATION



REGULAR HOODED INLET



SECTION A-A

APPROVED BY

WRT

DATE

4/1/92

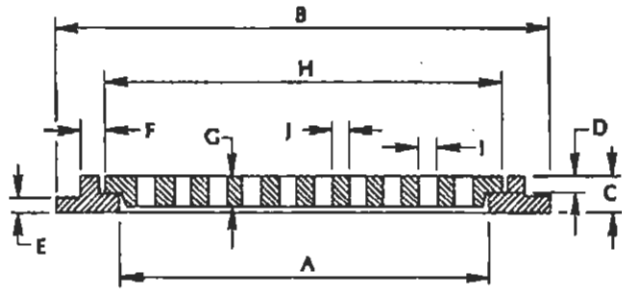
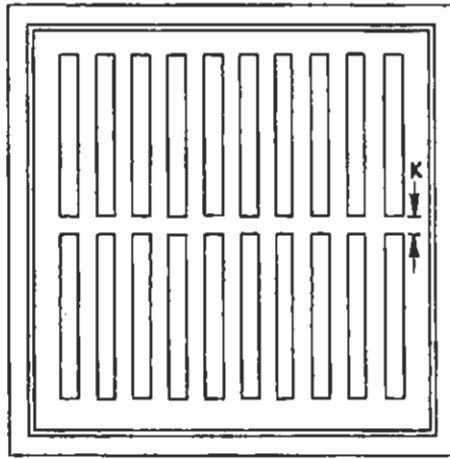
REGULAR HOODED
INLETS

DEPARTMENT OF PUBLIC WORKS



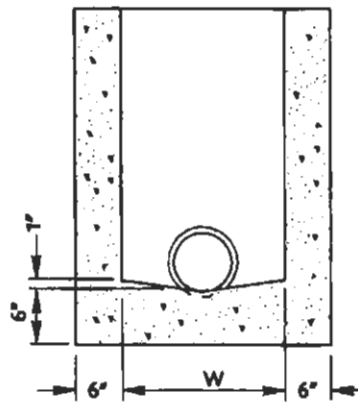
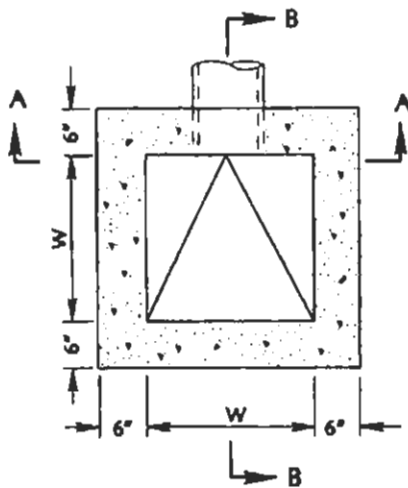
DRAWING
NO.

D-5

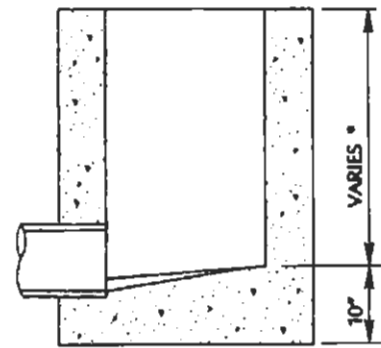


FRAME & GRATE TYPE	A	B	C	D	E	F	G	H	I	J	K	NO. OF RIBS	FLOW AREA
REGULAR FLAT GRATE INLET	24"	30"	2"	1"	1"	3/4"	2"	26"	1"	1"	1 1/4"	10	223 SQ.IN.
LARGE FLAT GRATE INLET	36"	42"	3"	1"	1"	3/4"	2 1/2"	38"	1"	1 1/4"	1 1/2"	15	490 SQ.IN.

GRATE & FRAME



SECTION A-A



* 3'-0" TO 3'-6"

SECTION B-B

FRAME & COVER TYPE	W
REGULAR FLAT GRATE AND HOODED INLETS	24"
LARGE FLAT GRATE AND HOODED INLETS	36"

CONCRETE BOX

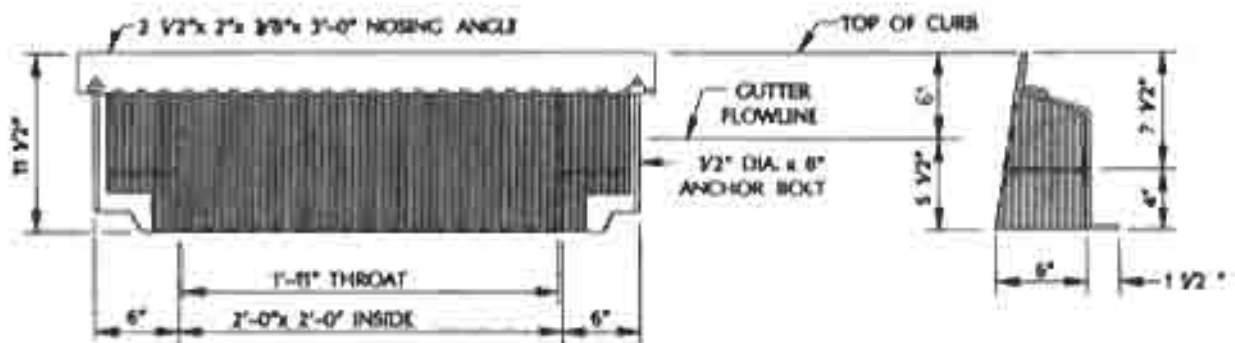
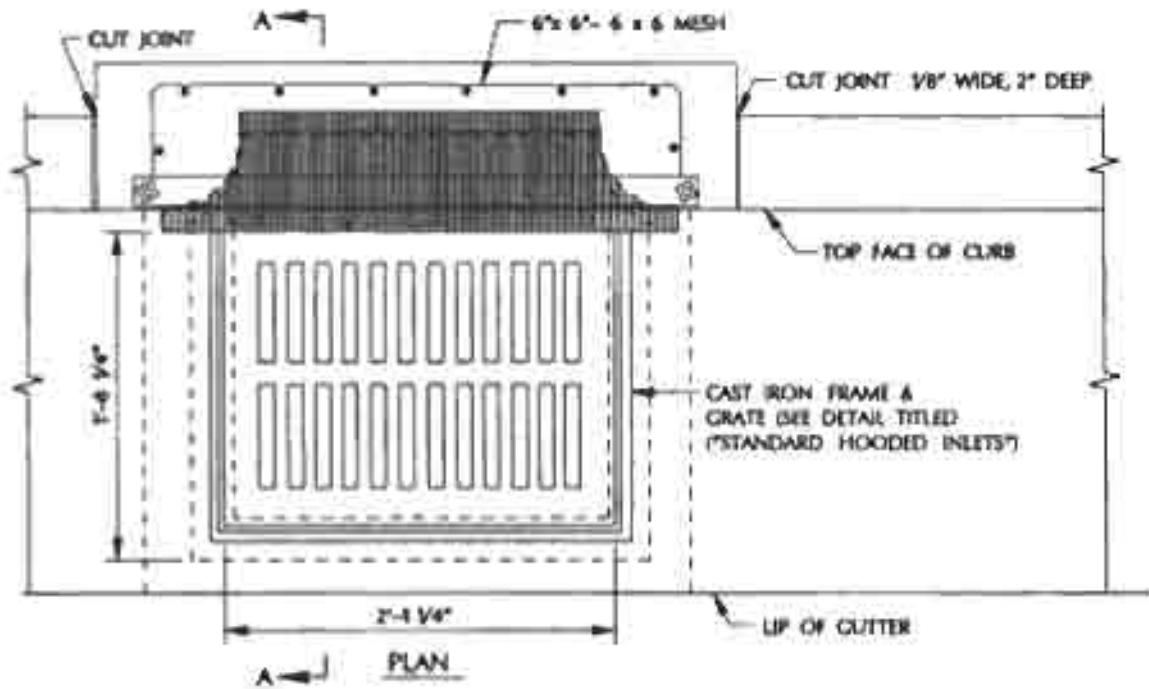
APPROVED BY
V.R.D.
DATE
4/1/92

STANDARD FLAT GRATE INLETS

DEPARTMENT OF PUBLIC WORKS




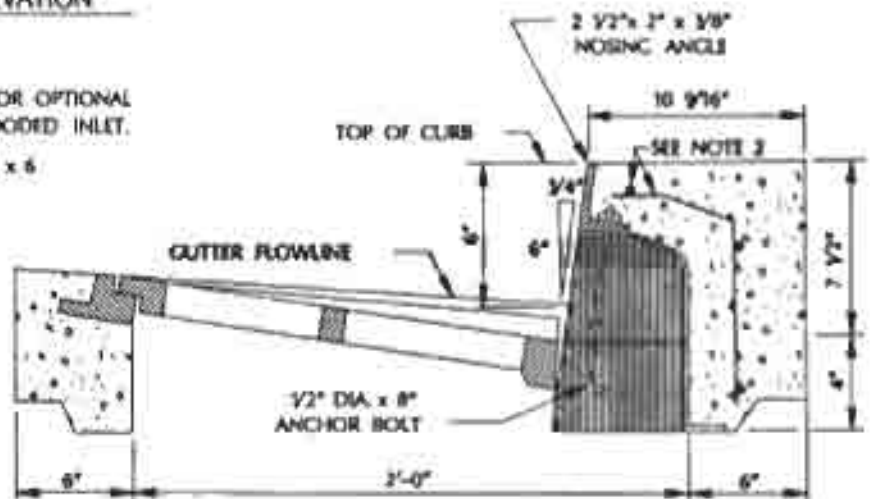
DRAWING NO.
D-6



ELEVATION

NOTES:

1. FIBERGLASS LINER ASSEMBLY IS FOR OPTIONAL USE INSTEAD OF STANDARD HOODED INLET.
2. WELDED WIRE MESH 6" x 6" - 6 x 6 IS REINFORCING.
3. FIBERGLASS LINER INDICATED THUS- 



APPROVED BY
MRD

DATE
4/1/92

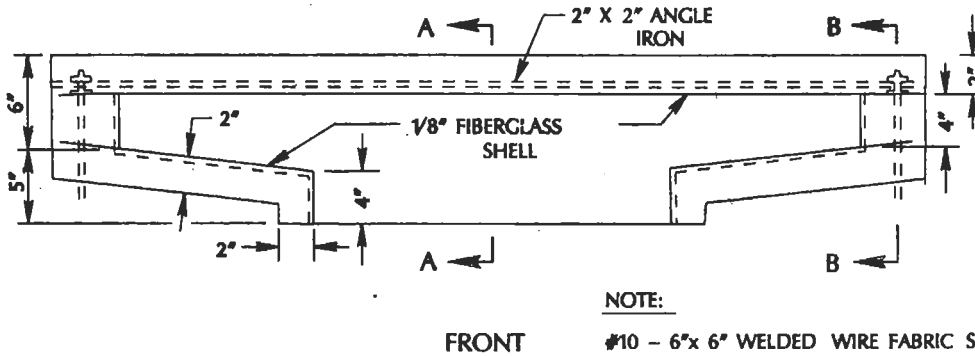
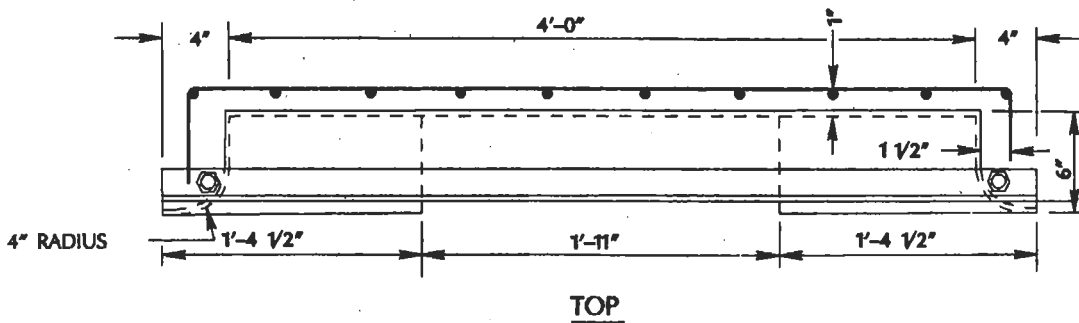
**FIBERGLASS LINER ASSEMBLY
OPTIONAL STANDARD INLET HOOD**

DEPARTMENT OF PUBLIC WORKS

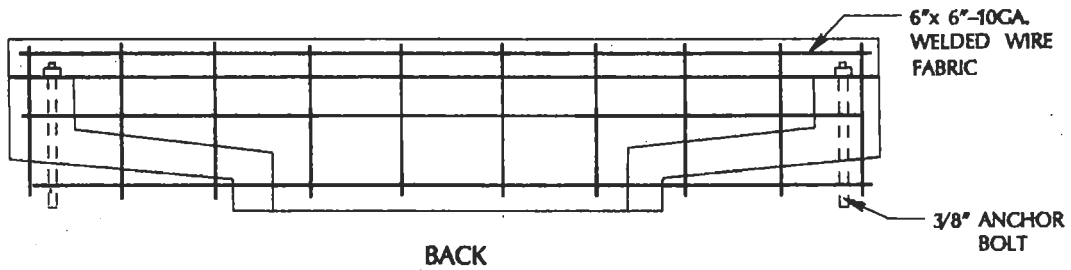
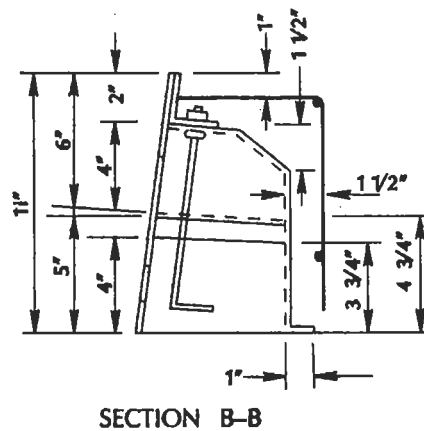
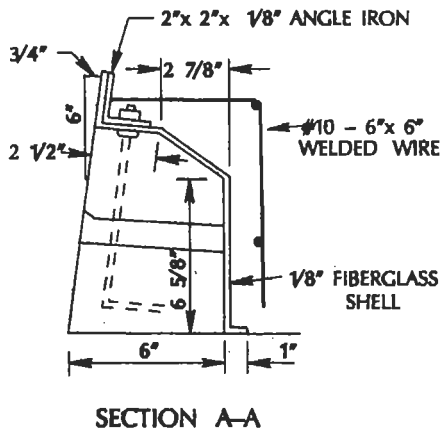


DRAWING NO.

D-7



NOTE:
 #10 - 6"x 6" WELDED WIRE FABRIC SHALL BE SECURELY ATTACHED AT 6" INTERVALS TO THE BACK OF THE 2"x 2" ANGLE IRON

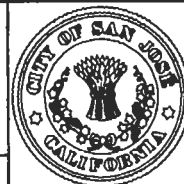


APPROVED BY
MRD

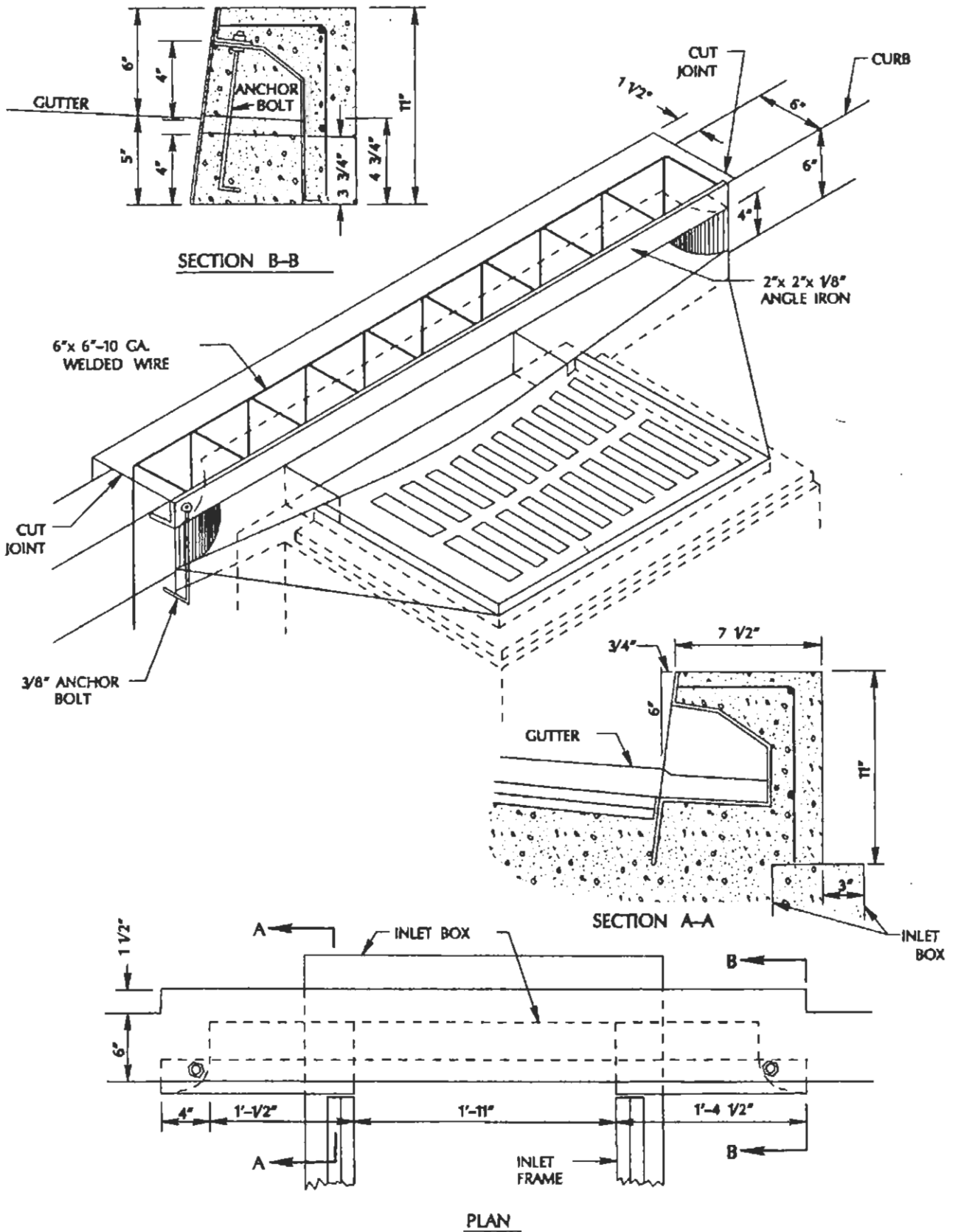
DATE
4/1/92

**FABRICATION DETAIL
 FIBERGLASS LINER ASSEMBLY GALLERY**

DEPARTMENT OF PUBLIC WORKS



DRAWING NO.
D-8



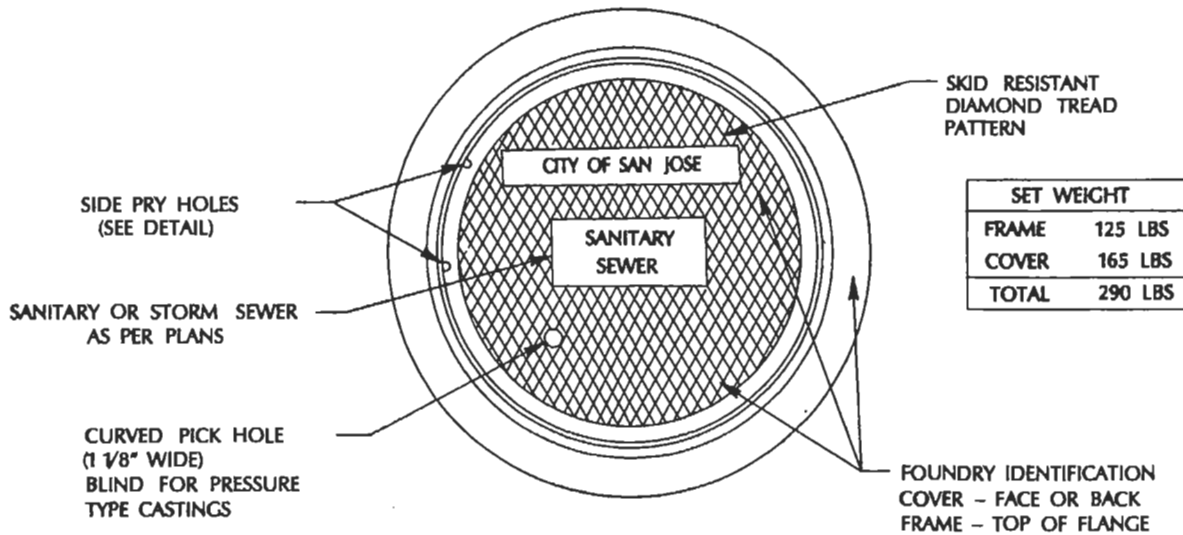
APPROVED BY
WIRD
 DATE
4/1/92

**INSTALLATION DETAIL
 FIBERGLASS LINER ASSEMBLY GALLERY**

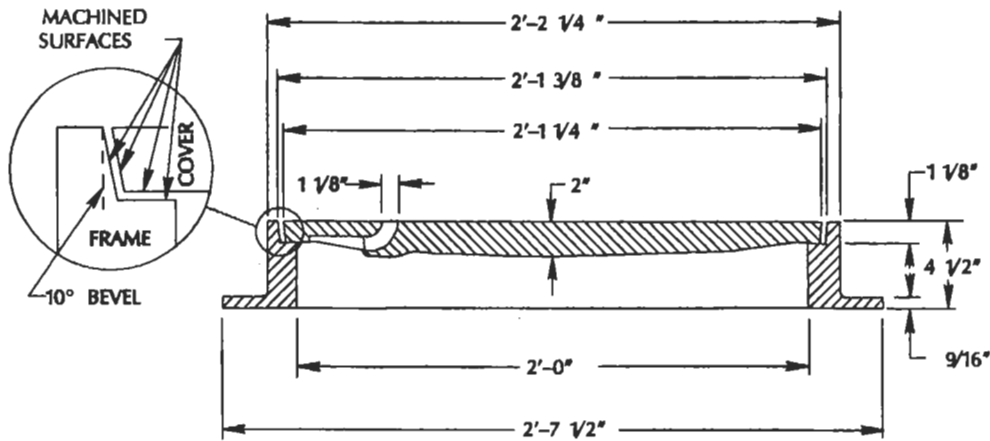
DEPARTMENT OF PUBLIC WORKS



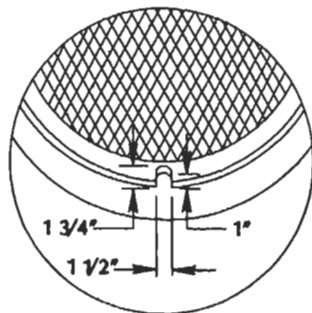
DRAWING NO.
D-9



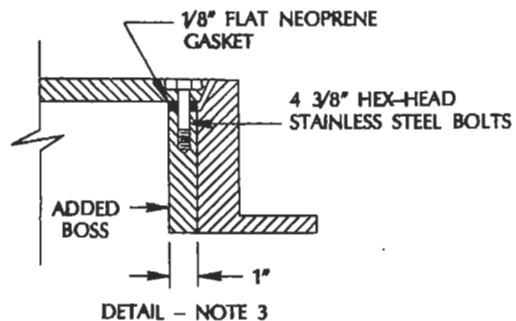
SET WEIGHT	
FRAME	125 LBS
COVER	165 LBS
TOTAL	290 LBS



- NOTES:**
1. MINIMUM WEIGHT OF SET 290 LBS.
 2. CAST IRON SHALL BE ASTM A-48 CLASS 35B.
 3. WHERE BOLT DOWN COVERS ARE CALLED FOR ON THE PLANS, ADD BOSSES TO FRAME (4 EA. @ 90°), SEE DETAIL.
 4. MANUFACTURER SHALL CERTIFY MATERIAL, WEIGHT AND DIMENSIONS.
 5. MANUFACTURER TO CERTIFY THAT FRAME AND COVER MEET ALL LOAD REQUIREMENTS FOR H-20 HIGHWAY LOADING.



DETAIL - SIDE PLY HOLE



APPROVED BY

MKD

DATE

4/3/92

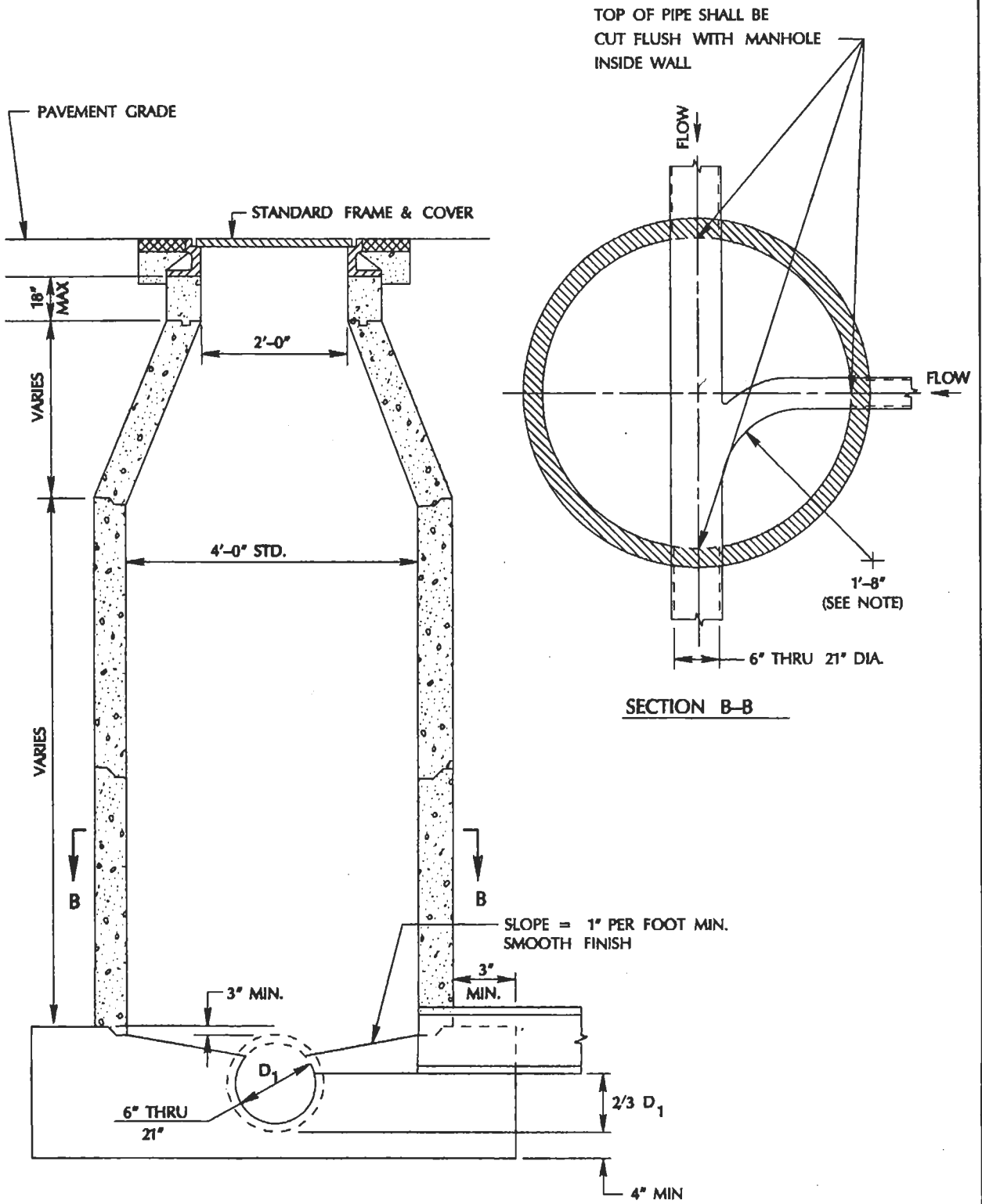
STANDARD MANHOLE FRAME & COVER

DEPARTMENT OF PUBLIC WORKS



DRAWING
NO.

D-10



NOTE: FOR CHANNELIZATION OF INTERCEPTING LINES, PROVIDE SMOOTH TRANSITIONS (APPROX. 1'-8" INSIDE RADIUS) TOWARDS DOWNSTREAM FLOW OF MAIN.

APPROVED BY

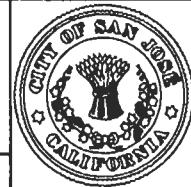
MRD

DATE

4/3/92

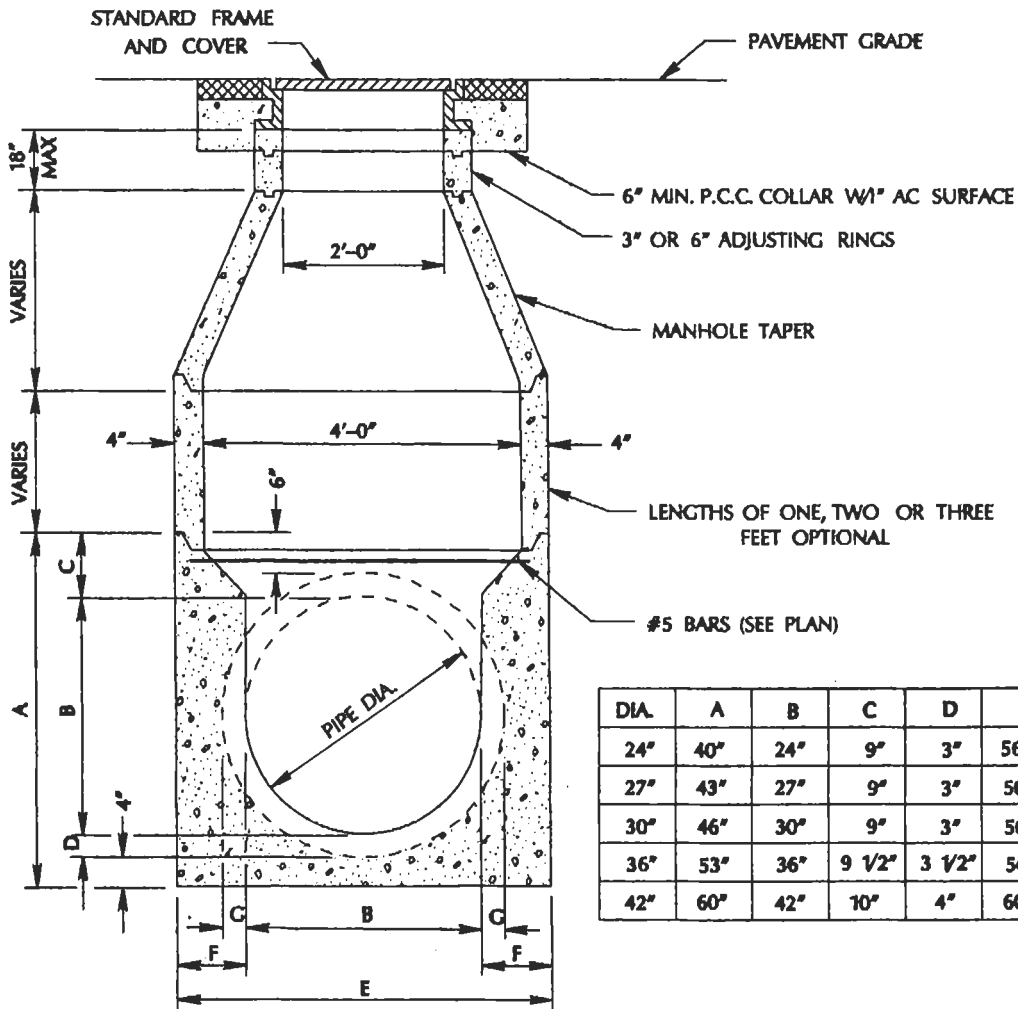
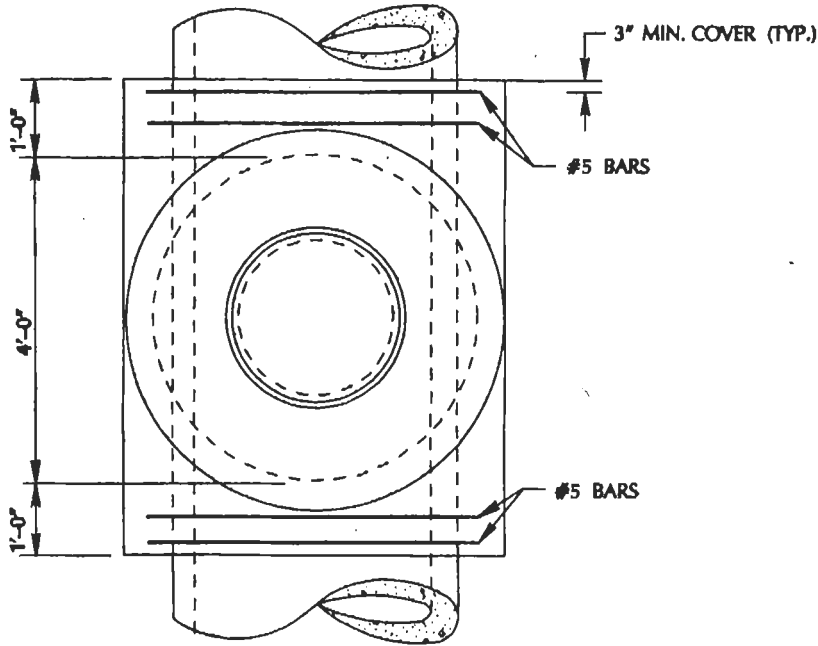
**STANDARD MANHOLE
21" DIAMETER & SMALLER PIPE**

DEPARTMENT OF PUBLIC WORKS



DRAWING NO.

D-11



DIA.	A	B	C	D	E	F	MIN. G
24"	40"	24"	9"	3"	56"	16"	3"
27"	43"	27"	9"	3"	56"	14 1/2"	3"
30"	46"	30"	9"	3"	56"	13"	3"
36"	53"	36"	9 1/2"	3 1/2"	56"	10"	3 1/2"
42"	60"	42"	10"	4"	60"	9"	4"

APPROVED BY

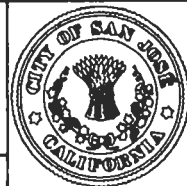
MRD

DATE

4/1/92

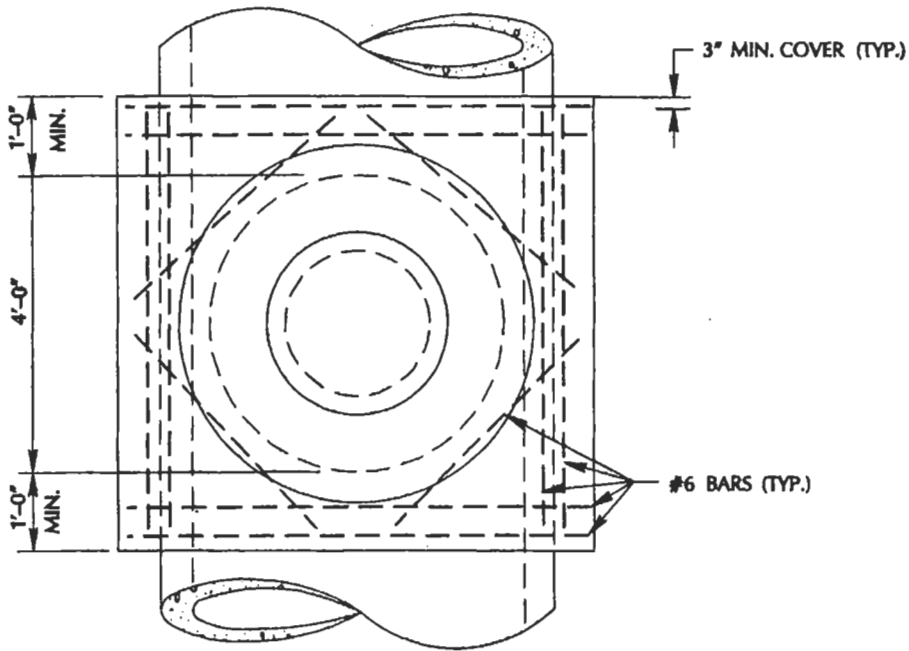
**STANDARD CONCENTRIC MANHOLE,
24" THRU 42" DIAMETER PIPE**

DEPARTMENT OF PUBLIC WORKS



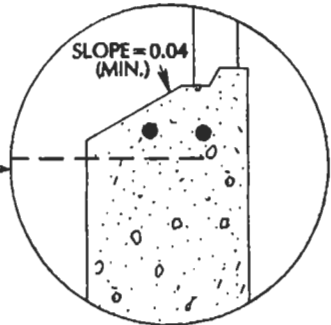
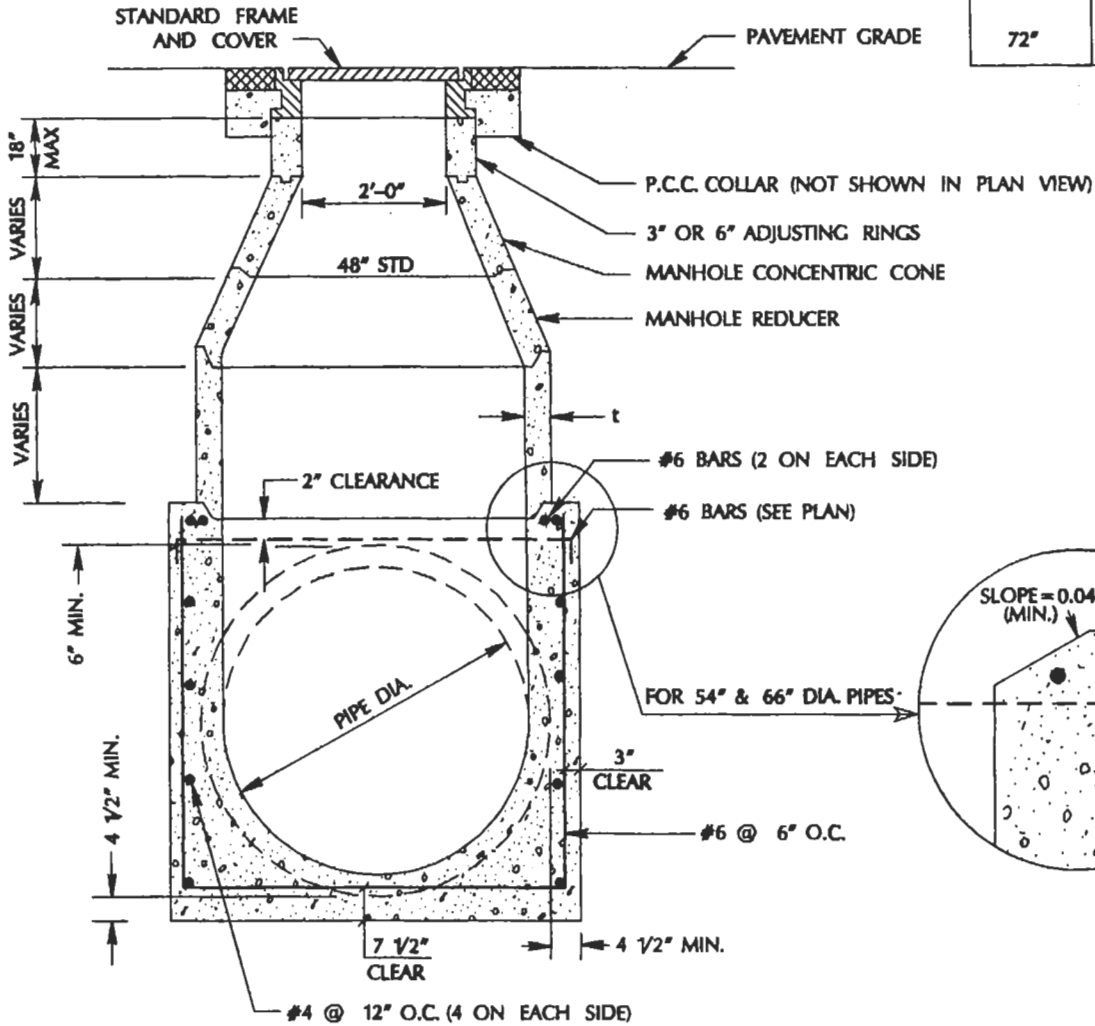
DRAWING NO.

D-12



REDUCER DIMENSIONS	
PIPE DIA.	REDUCER DIA.
48"	48" x 48"
54"	60" x 48"
60"	60" x 48"
66"	72" x 48"
72"	72" x 48"

THICKNESS (t) OF MANHOLE RISER, REDUCER & CONE	
DIA.	MIN. (t)
48"	5"
60"	6"
72"	8"



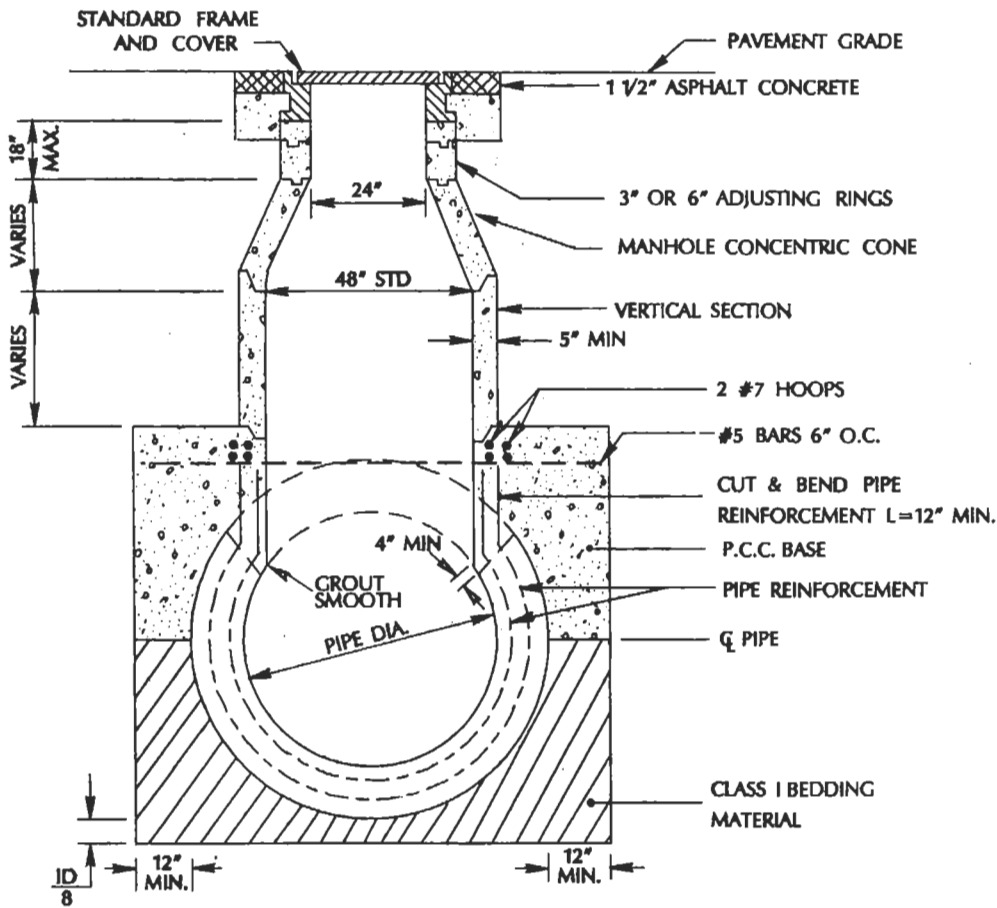
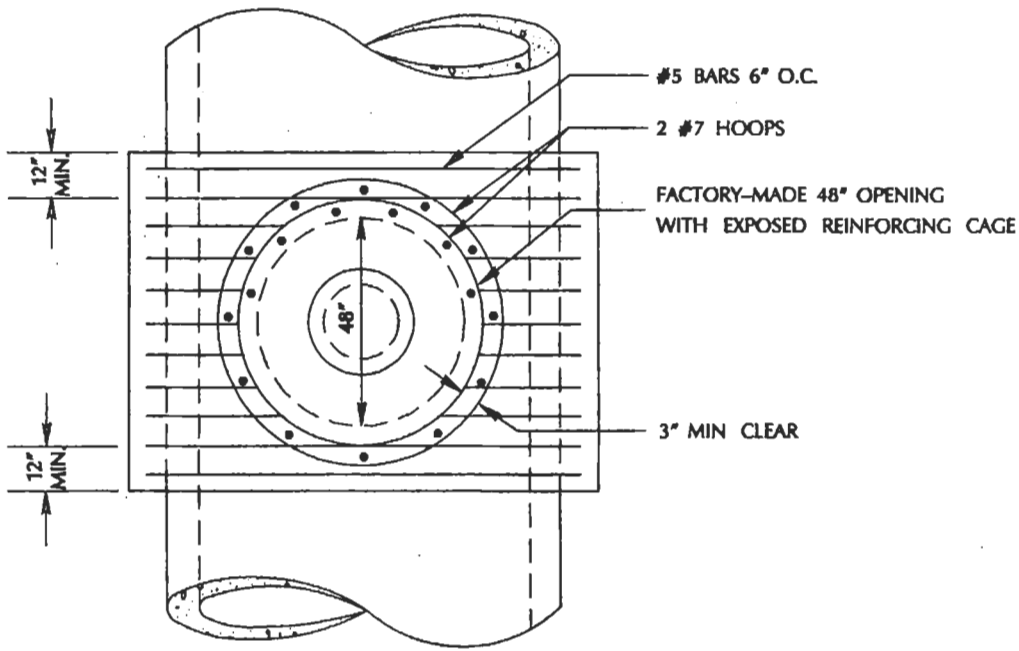
APPROVED BY
MRD
DATE
4/1/92

**CONCENTRIC MANHOLE,
48" TO 72" DIAMETER PIPE**

DEPARTMENT OF PUBLIC WORKS



DRAWING NO.
D-13



APPROVED BY

MRD

DATE

4/1/92

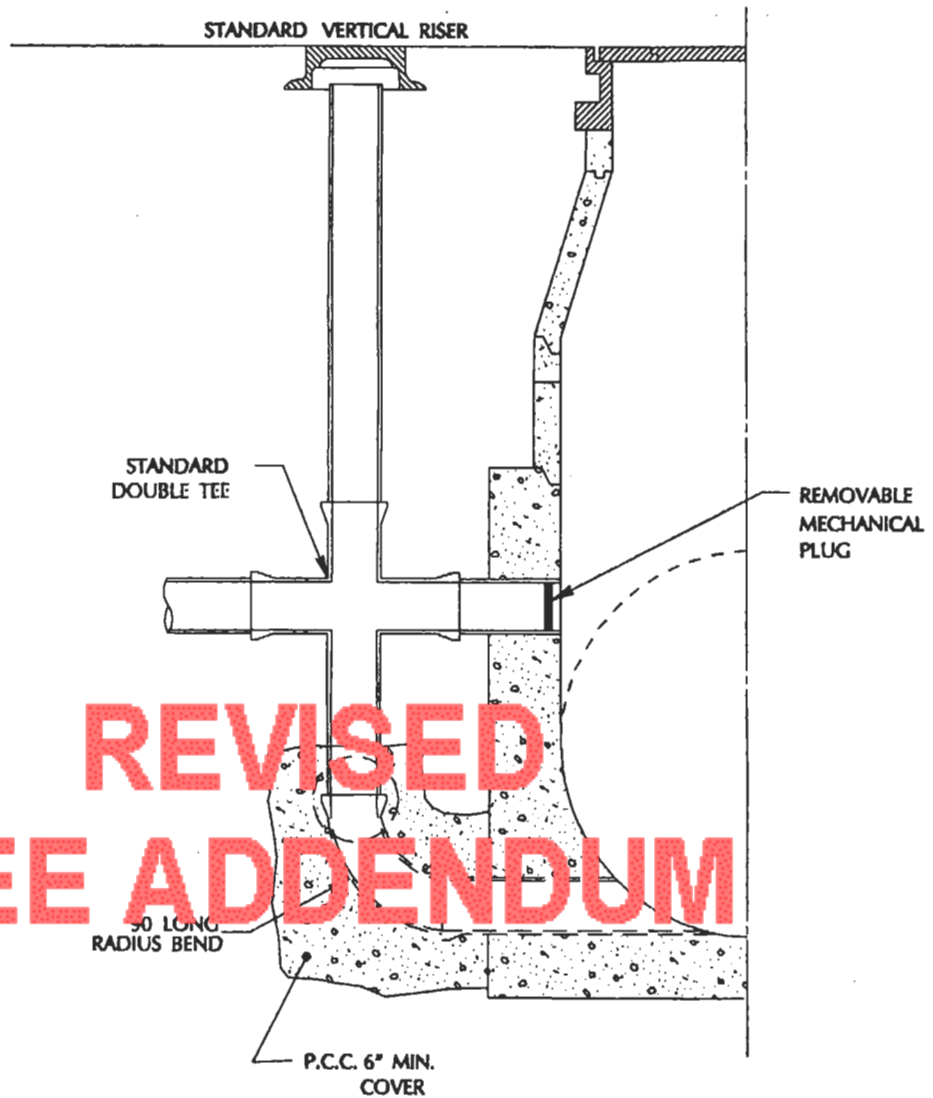
**CONCENTRIC MANHOLE,
 78" DIAMETER & LARGER PIPE**

DEPARTMENT OF PUBLIC WORKS



DRAWING NO.

D-14



**REVISED
SEE ADDENDUM**

APPROVED BY
JWS
DATE
4/1/92

DROP MANHOLE CONNECTION

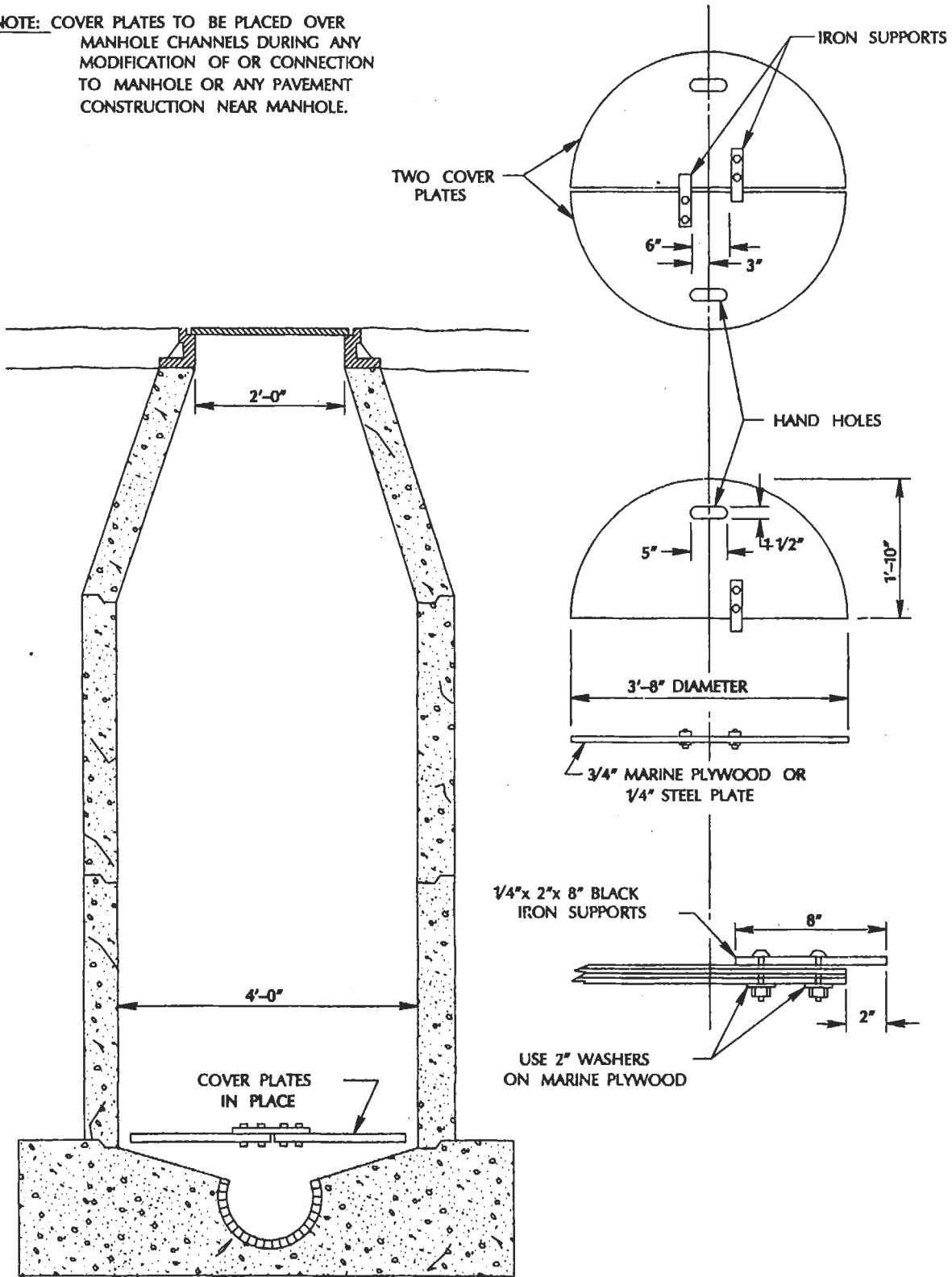
DEPARTMENT OF PUBLIC WORKS



DRAWING NO.

D-15

NOTE: COVER PLATES TO BE PLACED OVER MANHOLE CHANNELS DURING ANY MODIFICATION OF OR CONNECTION TO MANHOLE OR ANY PAVEMENT CONSTRUCTION NEAR MANHOLE.



APPROVED BY

ms

DATE

12-17-91

COVER PLATES FOR MANHOLE CHANNELS

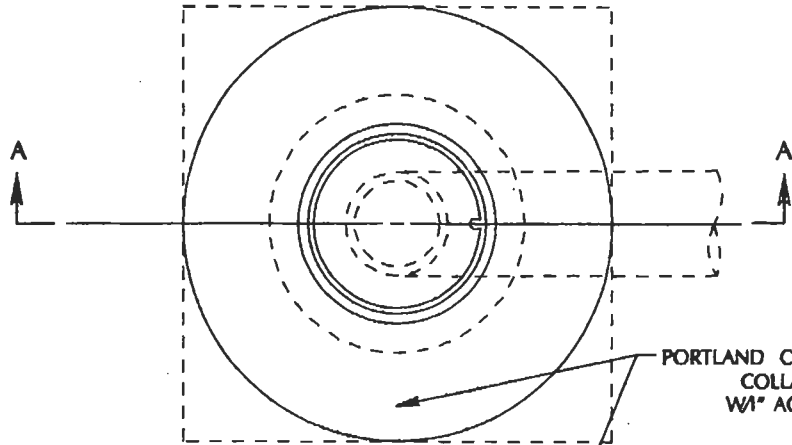
DEPARTMENT OF PUBLIC WORKS



DRAWING NO.

D-16

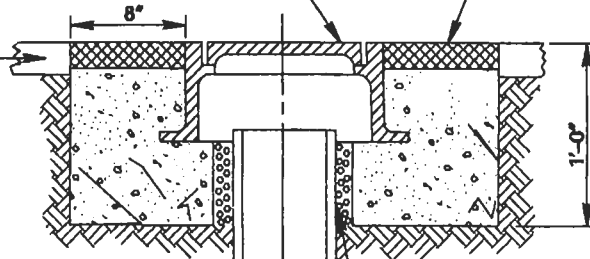
TOP VIEW



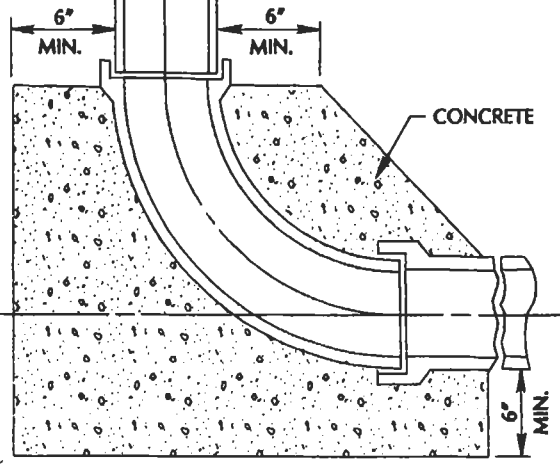
PORTLAND CEMENT CONCRETE
COLLAR □ OR ○
W/1" AC OVERLAY

STANDARD RISER FRAME & COVER

PAVEMENT



RESILIENT MATERIAL



CONCRETE

SECTION A-A

(WITH 90° LONG RADIUS BEND)

APPROVED BY

[Signature]

DATE

02-17-81

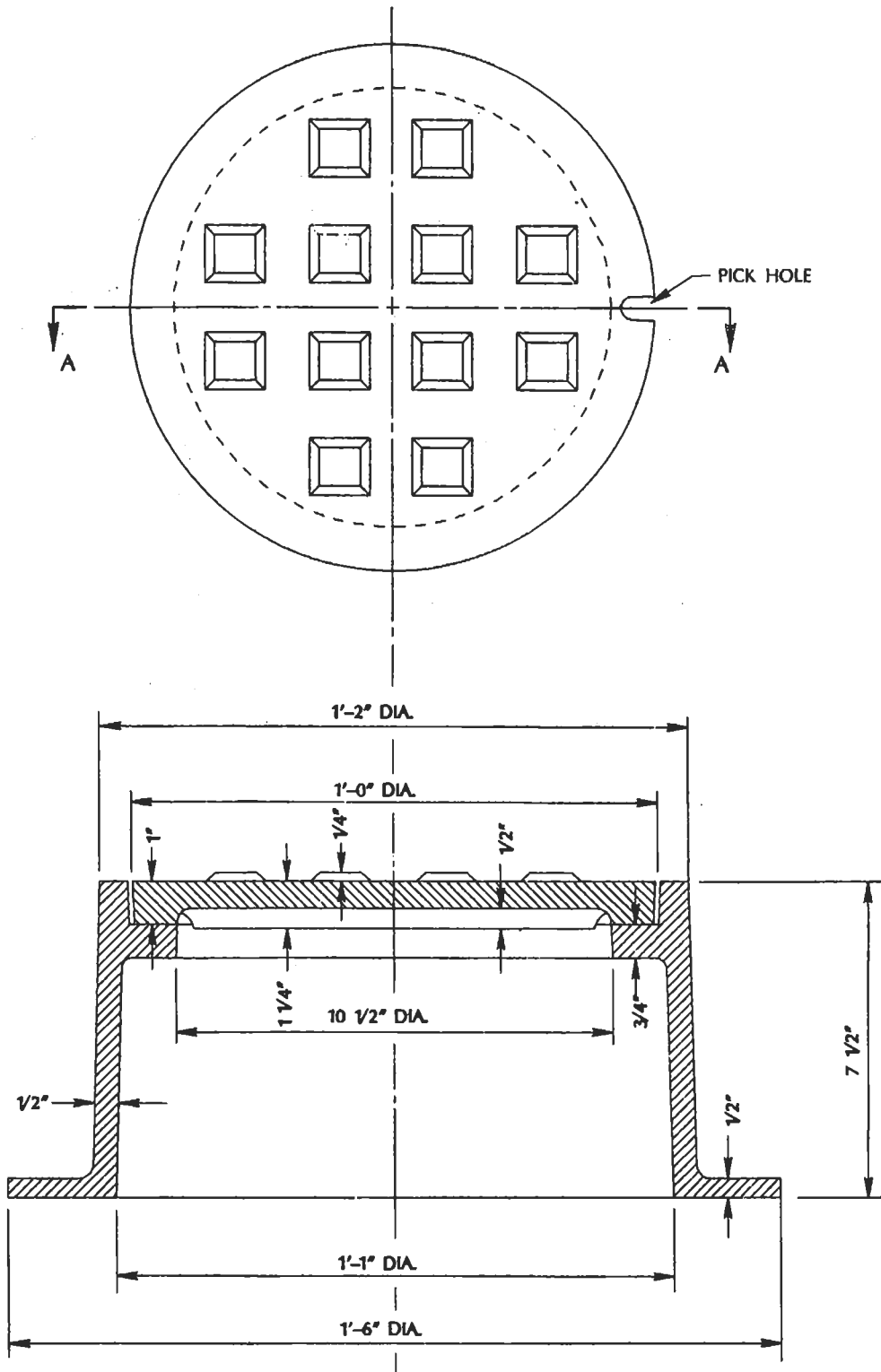
STANDARD VERTICAL RISER

DEPARTMENT OF PUBLIC WORKS



DRAWING NO.

D-17



SECTION A-A

NOTE: WEIGHT 110 LB. (APPROX.)

APPROVED BY

[Signature]

DATE

5-2-17-91

STANDARD RISER FRAME AND COVER

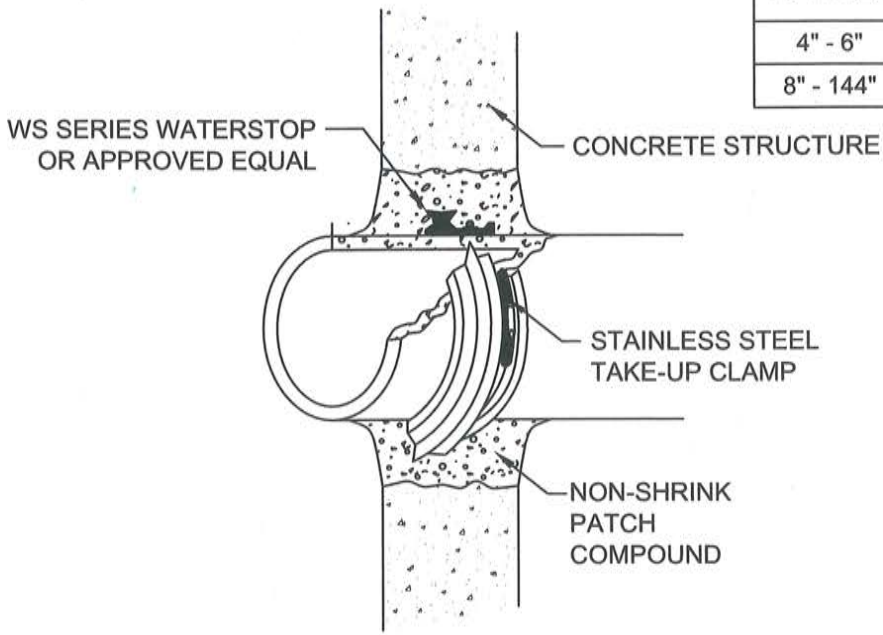
DEPARTMENT OF PUBLIC WORKS



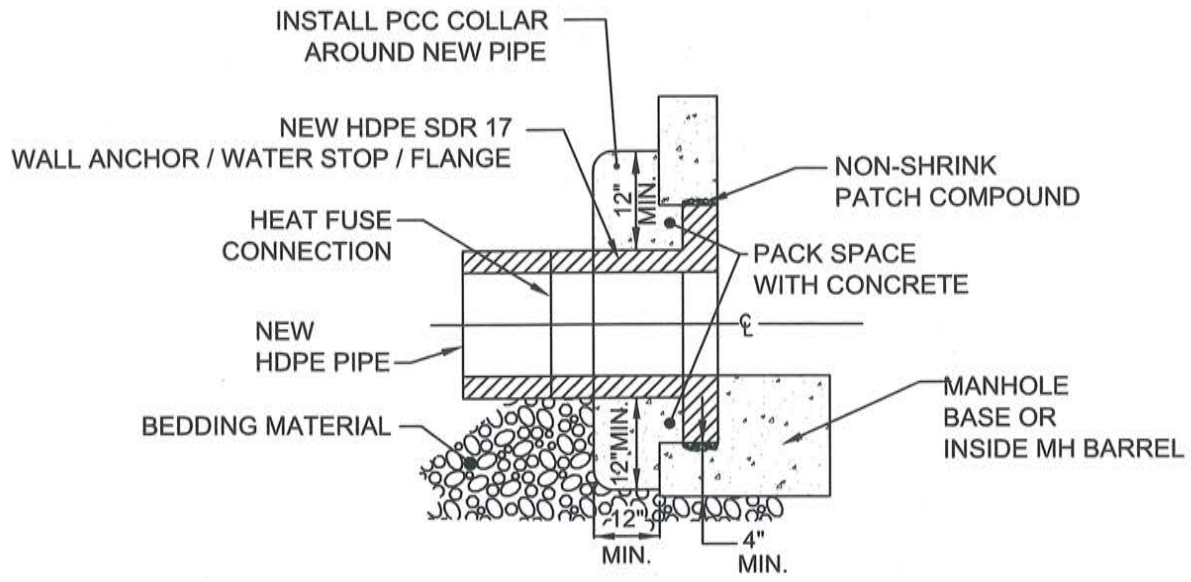
DRAWING NO.

D-18

PIPE SIZE	WS SERIES WATERSTOP
4" - 6"	WS-25
8" - 144"	WS-30




SYNTHETIC RUBBER WATERSTOP GASKET
(N.T.S.)



HIGH DENSITY PLOYETHLENE (HDPE)
WATER STOP FLANGE
(FOR HILLSIDE APPLICATION)
(N.T.S)

NOTE:
NEW CONCRETE BASE SHALL BE AT LEAST 3-INCHES ABOVE PIPE FLANGE.

APPROVED BY <i>MN</i>	WATERSTOP FOR PLASTIC/DIP PIPE	 CITY OF SAN JOSE <small>CAPITAL OF SILICON VALLEY</small>	DRAWING NO.
DATE <i>10/20/15</i>			DEPARTMENT OF PUBLIC WORKS